

**COMPLEX COIL SPLITTING FOR TWO HUMBUCKERS**

In this case we have another position calibrated set. A HV-58 vintage alnico unit at the NECK position and the more powerful, but still distinctly vintage HVX at the BRIDGE position.

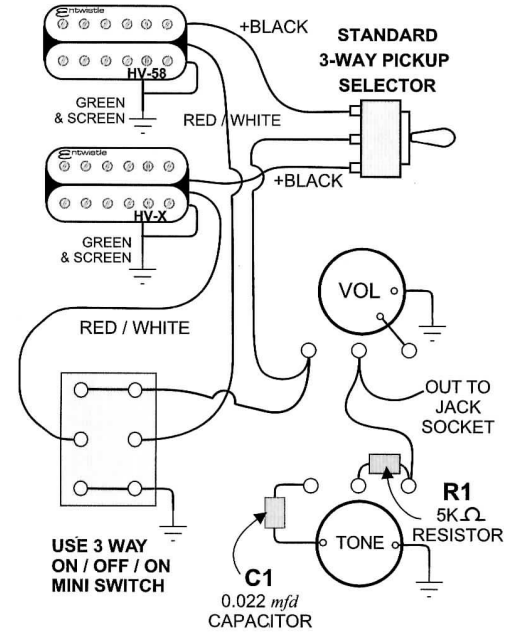
This switching delivers the two outer coils 3-way pickup switch) in the UP position, full humbucking in the CENTRE and the two inner coils (not variable) in the DOWN position.

*Most humbucking circuits have a tendency to use 500K Log potentiometers on tone controls.*

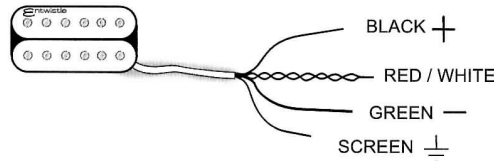
*This limits functional tracking, and at least one major guitar manufacturer has now reduced this to 300K Log on their range.*

*It is actually quite acceptable to drop this to 250K as R1, the 5K Resistor has a limiting factor on top end losses.*

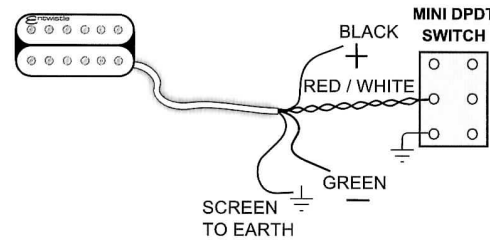
**COMPLEX COIL SPLITTING FOR TWO HUMBUCKERS**



**STANDARD NON-SPLIT**



**SIMPLE SPLIT COIL**



**PLEASE NOTE**

We recommend that our pickups and other electronic units are wired only by a professional guitar technician.

**HUMBUCKING UNITS**

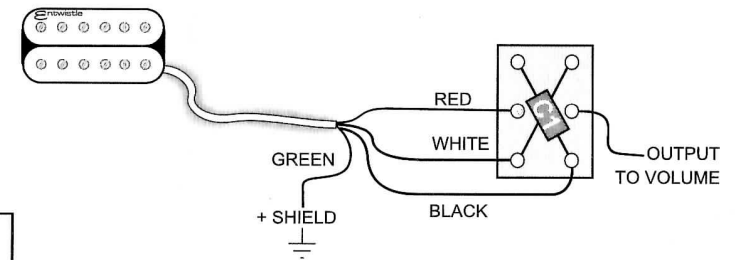
The following covers all humbucking models in the current range. All of our humbuckers are fitted with four core and screen cable to facilitate a wide range of pickup options.

**PARTIAL PHASING**

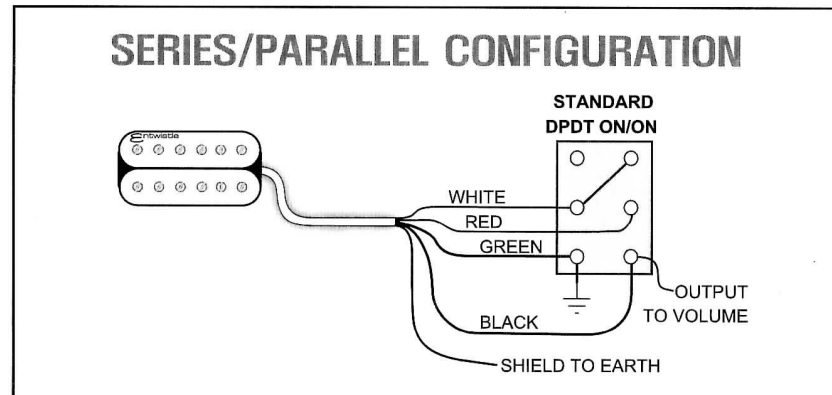
Here is a circuit where a humbucker is wired out of phase with itself, except that a 0.002 capacitor is wired into the circuit so that the pickup is not fully out of phase.

The result tends to give a BETTER SINGLE COIL SOUND than if the pickup were split in the conventional way.

**PARTIAL PHASING**



**SERIES/PARALLEL CONFIGURATION**



MEMO

For example . . .

STANDARD NON-SPLIT

SIMPLE SPLIT COIL

COMPLEX COIL SPLITTING FOR 2 HUMBUCKERS